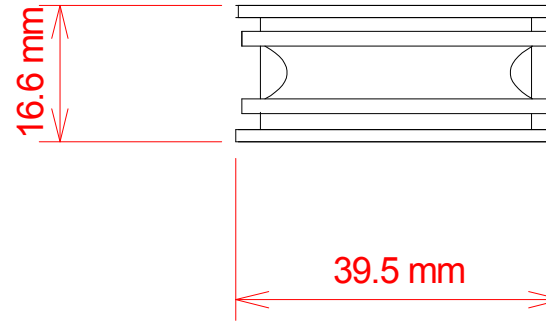
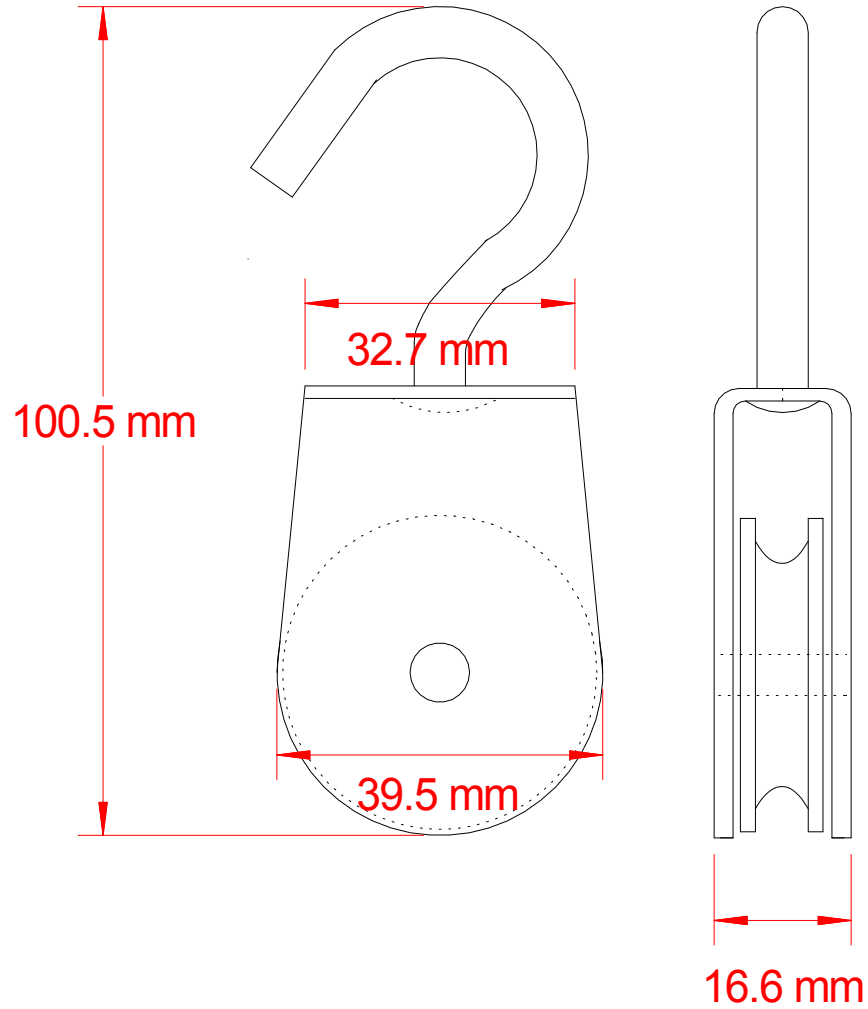



HOP1093

1 1/2" LAZY PULLEY



			Title Hopkins Blinds 1.5" lazy pulley		
Drawing No. Hop 1093		Revision A	Scale NTS		
<small>THIS DOCUMENT IS THE PROPERTY OF HOPKINS BLIND & SHUTTER FITTINGS LTD. THIS DOCUMENT AND ANY INFORMATION CONTAINED HEREIN MAY NOT BE REPRODUCED, USED OR DISCLOSED TO ANY THIRD PARTY WITHOUT THE EXPRESS WRITTEN PERMISSION OF THE OWNER.</small>					
<small>File \\HOPDC00\Documents\Drawings\Alex\WH0755.SKF</small>					
Drawing Status PROD		Drawn By BA	Approved By Date		
		Date 12/06/13	Date		
Notes					