

SP*diecis*

MOTOR FOR SPRING BALANCED DOORS, SHOP FRONTS, GARAGE DOORS.



Fast installation with only 4 screws.



IP 42 protection rate.



10 rpm is the most suitable speed for rolling shutters.

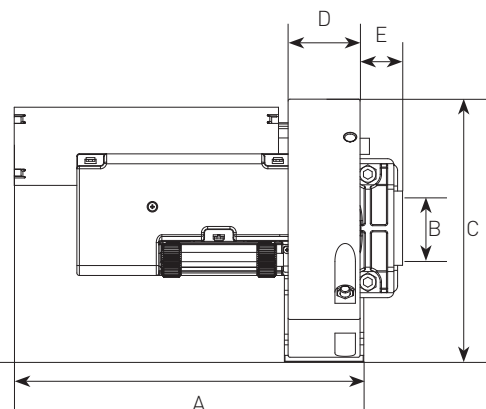


Easy handling during installation and less stress on the tube due to its light weight.



Limit switch with micrometric adjustment.

SEGMENT	LENGTH (mm)
A	279 (355 Ver. E)
B	48/60*
C	200/220*
D	58
E	27



TECHNICAL DETAILS

TORQUE (Nm)	160
POWER SUPPLY (V)	230
FREQUENCY (Hz)	50
ABSORPTION (A)	2
POWER (W)	450
PROTECTION RATE (IP)	42
DUTY RATING (Min)	5
OUTPUT SPEED (Min ⁻¹)	10
LIMIT SWITCH MAX. TURNS	8
WEIGHT (Kg)	7

SP10

LIMIT SWITCH WITH GRADUATED ADJUSTING CAMS.



Ver. **E** (OPTIONAL)

WITH ELECTROMAGNETIC BRAKE.



* with collars.
** with extension wheel.

SP*ventis*

MOTOR FOR SPRING BALANCED DOORS, SHOP FRONTS, GARAGE DOORS.



Fast installation with only 4 screws.



IP 42 protection rate.

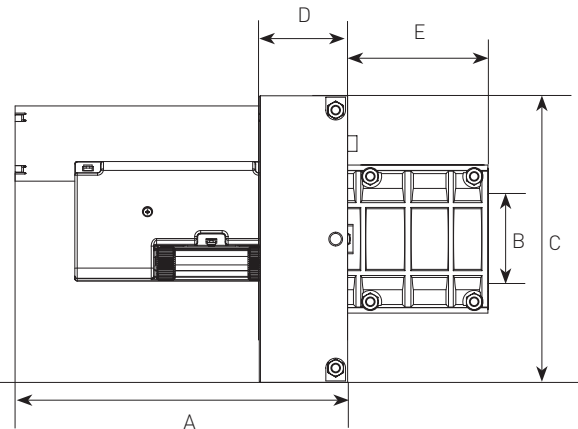


9 rpm is the most suitable speed for rolling shutters.



Limit switch with micrometric adjustment.

SEGMENT	LENGTH (mm)
A	279 (355 Ver. E)
B	76
C	240
D	74
E	117



TECHNICAL DETAILS

TORQUE (Nm)	190
POWER SUPPLY (V)	230
FREQUENCY (Hz)	50
ABSORPTION (A)	2.2
POWER (W)	495
PROTECTION RATE (IP)	42
DUTY RATING (Min)	5
OUTPUT SPEED (Min ⁻¹)	9
LIMIT SWITCH MAX. TURNS	7
WEIGHT (Kg)	9.2

SP20

LIMIT SWITCH WITH GRADUATED ADJUSTING CAMS.



Ver. **E** (OPTIONAL)

WITH ELECTROMAGNETIC BRAKE.



SPventunoS

MOTOR FOR SPRING BALANCED DOORS, SHOP FRONTS, GARAGE DOORS.



Fast installation with only 4 screws.



IP 42 protection rate.



9 rpm is the most suitable speed for rolling shutters.

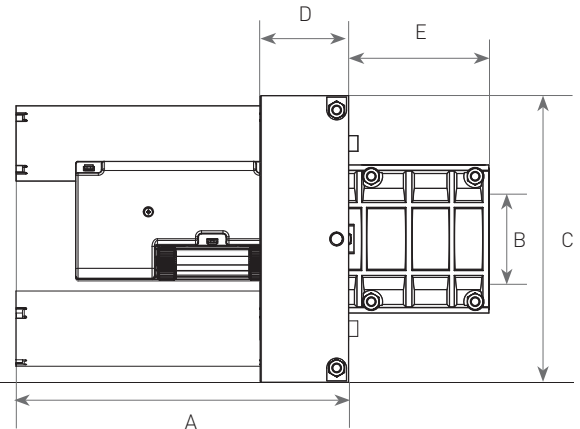
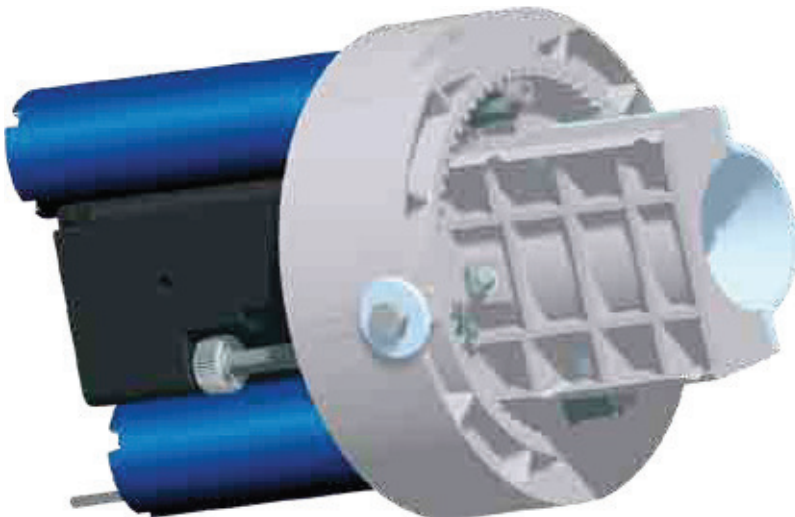


Easy handling during installation and less stress on the tube due to its light weight.



Limit switch with micrometric adjustment.

SEGMENT	LENGTH (mm)
A	279 (355 Ver. E)
B	76
C	240
D	74
E	117



TECHNICAL DETAILS

TORQUE (Nm)	270
POWER SUPPLY (V)	230
FREQUENCY (Hz)	50
ABSORPTION (A)	3
POWER (W)	670
PROTECTION RATE (IP)	42
DUTY RATING (Min)	5
OUTPUT SPEED (Min ⁻¹)	9
LIMIT SWITCH MAX. TURNS	7
WEIGHT (Kg)	12

SP21

LIMIT SWITCH WITH GRADUATED ADJUSTING CAMS.



Ver. **E** (OPTIONAL)

WITH ELECTROMAGNETIC BRAKE

THE TRADITIONAL DEVICE FOR THE IRREVERSIBILITY OF THE MOTOR.



SPLITeuro-pack



Safety first!

A SAFE SOLUTION IN FULL CONFORMITY WITH THE EUROPEAN RULE EN13241-1.

SPLITeuro-pack. A new system specifically designed to ease the installation of motorised and non motorised garage and commercial doors. With the **SPLITeuro-pack** system **GAPOSA** offers a functional and reliable solution.



The **SPLITeuro-pack** advantages and features are underlined by an analysis of the European rule EN12604:

Paragraph 4.3.4, requirement:

“The anti-drop safeguard shall be automatically activated in the event of a suspension failure”.

The **SPLITeuro-pack** is the only system which fully comply with this requirement.

In fact, the commonly used inertial safety brake doesn't lock the shutter after a spring's breakage, widely ignoring this important requirement.

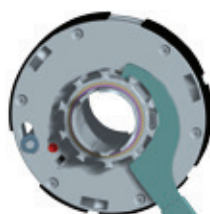
Paragraph 4.7.1:

“Precautions shall be taken to prevent ejection of springs or springs coils in the event of spring breakage”.

Only the torsional springs used in the **SPLITeuro-pack** respect this condition!

The traditional compensation spring boxes obviously cannot comply with this requirement.

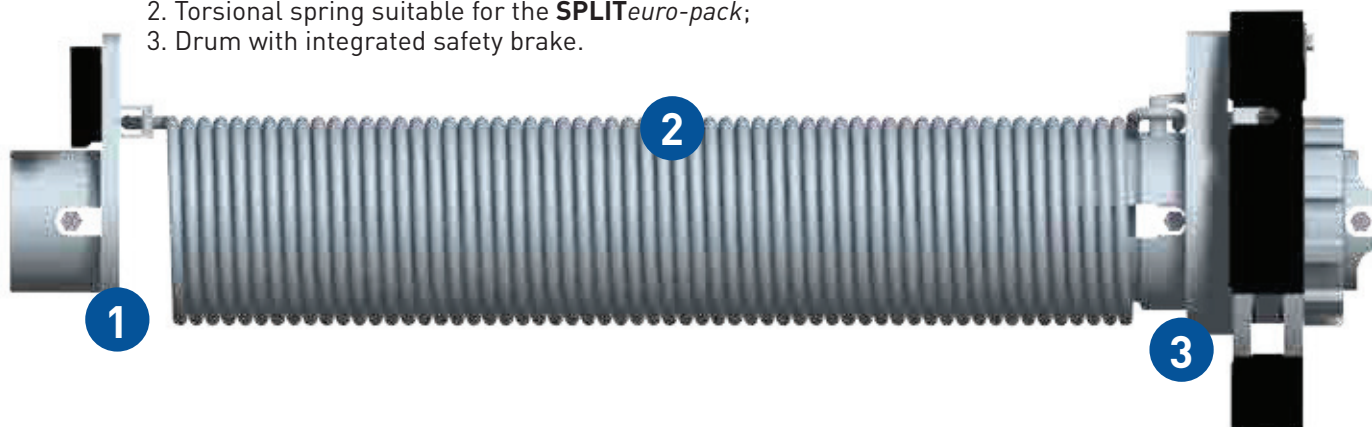
Through its balanced springs and its unique loading tool the **SPLITeuro-pack** system grants the maximum safety to the installers. On the other hand the highest working security is provided to the end-users by the safety brake.



i

Typical installation

1. Spring bracket with safety micro-switches;
2. Torsional spring suitable for the **SPLITeuro-pack**;
3. Drum with integrated safety brake.



Technical and functional aspects

- Fast and easy installation;
- No side space;
- Reliable and long lasting system;
- Easy manual override;
- Nylon covered pulleys for the best shutter slat protection;
- Drums with bearings for the maximum smoothness.

Technical features

- Power supply: 230V-50Hz;
- Fast declutch manual override;
- Balancing through torsional springs;
- 208 Ø drums with an integrated and TÜV-approved safety brake;
- Max. working dimensions: up to 4/4,5;
- Max. balanced weight: 195 kg.

SPLITeuro-pack - The range

SEP65E*	SPdieciE Pulley with safety brake Micro Spring Ø 6.5 mm
SEP7E	SPdieciE Pulley with safety brake Micro Spring Ø 7mm
SEP75E	SPdieciE Pulley with safety brake Micro Spring Ø 7,5mm

SEP065E*	SPzeroE Pulley with safety brake Micro Spring Ø 6.5 mm
SEP07E	SPzeroE Pulley with safety brake Micro Spring Ø 7mm
SEP075E	SPzeroE Pulley with safety brake Micro Spring Ø 7,5mm

ADDITIONAL KITS

EP65E*	Pulley with safety brake/Micro/Spring Ø 6,5mm
EP7E	Pulley with safety brake/Micro/Spring Ø 7mm
EP75E	Pulley with safety brake/Micro/Spring Ø 7,5mm

* On demand.

SPLITeuro-pack



Summary table*

Number and type of springs according to the size of the shutter:

SHUTTER'S FEATURES		WEIGHT = 7 Kg/mq						WEIGHT = 10 Kg/mq					
HEIGHT	WIDTH (m)	1.5	2	2.5	3	3.5	4	1.5	2	2.5	3	3.5	4
2 m	Weight (Kg)	21	28	35	42	49	56	30	40	50	60	70	80
	Spring number	1	1	2	2	2	2	1	1	2	2	2	2
	Spring type (Kg)	6,5	7	6,5	6,5	7	7	7,5	7,5	7	7,5	7,5	7,5
	Nr. of turns	4,5	4	3,5	4,5	3,5	4	3,5	4,5	3,5	3,5	3,5	4,5
2.5 m	Weight (Kg)	26,25	35	43,75	52,5	61,25	70	37,5	50	62,5	75	87,5	100
	Spring number	1	1	2	2	2	2	1	1	2	2	2	2
	Spring type (Kg)	6,5	7	6,5	7	7	7	7,5	7,5	7	7,5	7,5	7,5
	Nr. of turns	5	4,5	4,5	3,5	4	5	4,5	5	4,5	4	4,5	5
3 m	Weight (Kg)	31,5	42	52,5	63	73,5	84	45	60	75	90	105	120
	Spring number	1	1	2	2	2	2	1	1	2	2	2	2
	Spring type (Kg)	7	7,5	6,5	7	7	7	7,5	7,5	7	7,5	7,5	7,5
	Nr. of turns	4,5	4,5	5,5	4,5	5	5,5	4,5	6	5	5	5,5	6
3.5 m	Weight (Kg)	36,75	49	61,25	73,5	85,75	98	52,5	70	87,5	105	122,5	140
	Spring number	1	1	2	2	2	2	1	2	2	2	2	2+1
	Spring type (Kg)	7	7,5	6,5	7	7	7,5	7,5	7	7	7,5	7,5	7 / 7,5
	Nr. of turns	5	5	6	5	6	5	5,5	5	6	5,5	6	5,5
4 m	Weight (Kg)	42	56	70	84	98	112	60	80	100	120	140	160
	Spring number	1	1	2	2	2	2	1	2	2	2	2+1	2+1
	Spring type (Kg)	7	7,5	7	7	7,5	7,5	7,5	7	7,5	7,5	7 / 7,5	7,5 / 7
	Nr. of turns	5,5	6	5	6	5	6	6	5,5	5	6	5,5	6

* The data in the chart, even though derived by practical tests, must be considered indicative. The real incidence of friction of each shutter, for his intrinsic characteristics, can be different from the hypothesized one; the spring charge will therefore have to be regulated accordingly. The given data exclusively refer to the number, type and spring charge of shutters according to their weight and dimensions, and do not take in account the structural and bending calculation of the tube used, that remain of exclusive competence and responsibility of the shutter manufacturer. In phase of predisposition of the pulleys and of the Euro-pack springs on the shutter tube, it is necessary to verify that the encumbrances fit with the available width.

