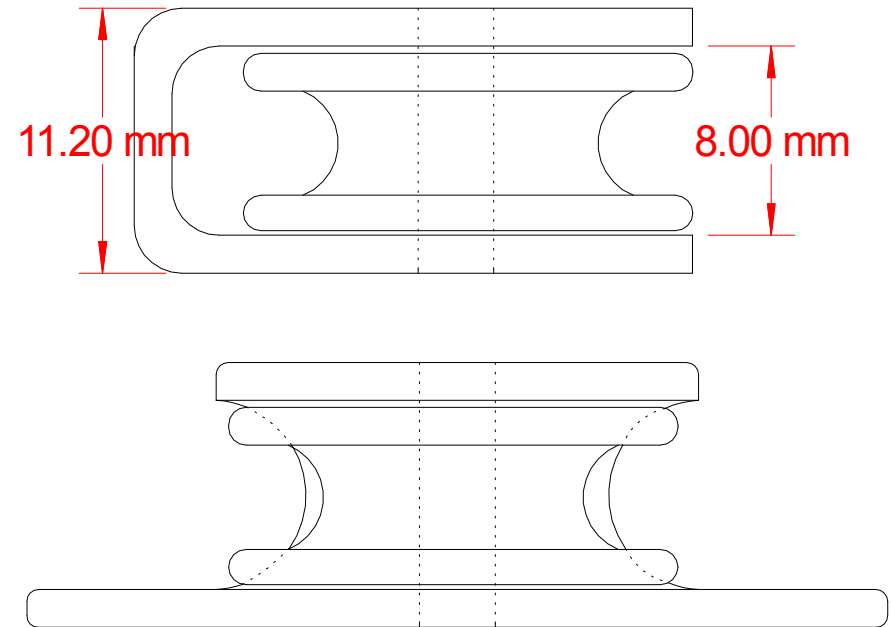
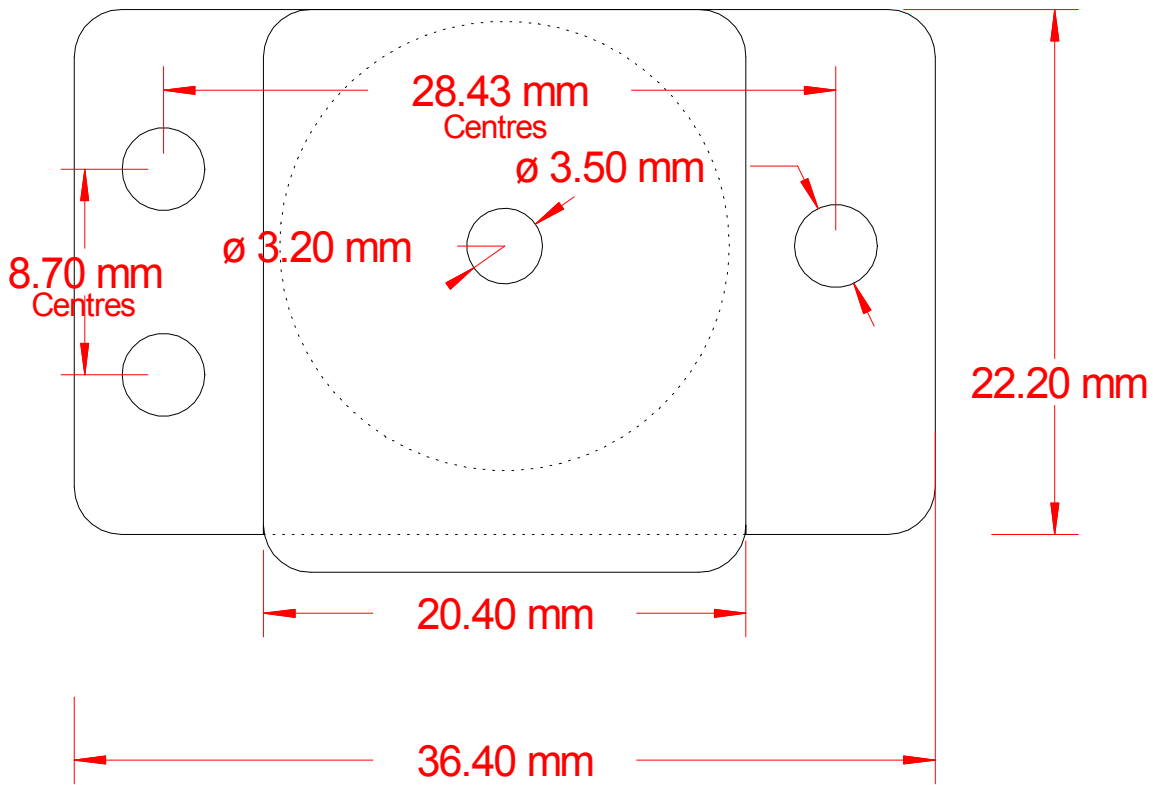


Hop 1009

3/4" side pulley

suitable for up to 4mm dia cord



		Title Hopkins Blinds 3/4" Dia Side Pulley	
Drawing No. Hop1009	Revision A	Scale NTS	
File I:\HOPDC00\Documents\Drawings\Alex\WH0755.SKF			
Drawing Status PROD	Drawn By BA	Approved By	
	Date 20/05/13	Date	
Notes			
1.6mm Steel Strip			
Tolerance +/- 0.1mm			