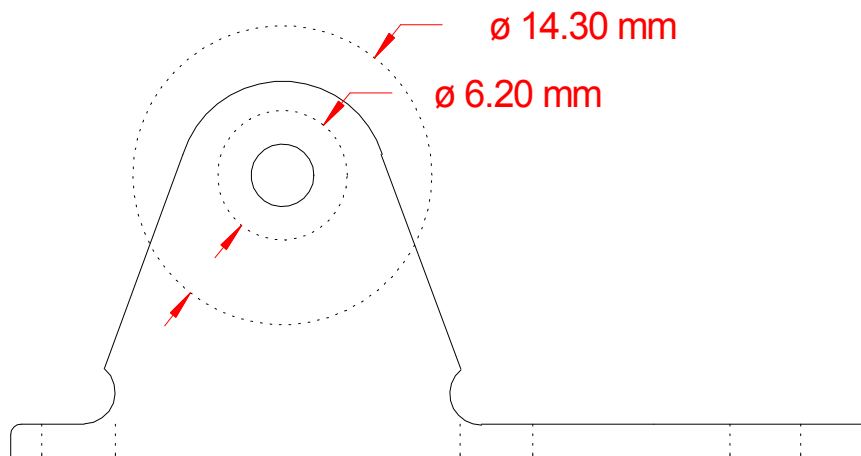
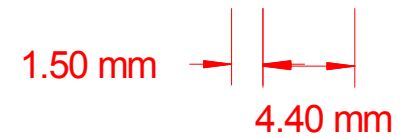
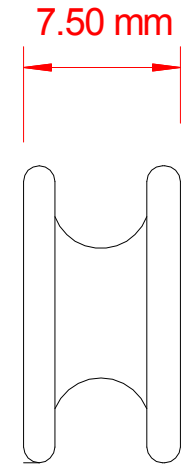
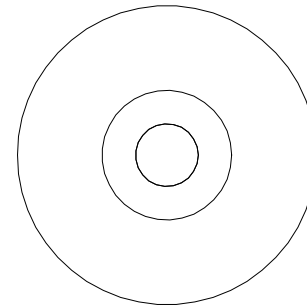
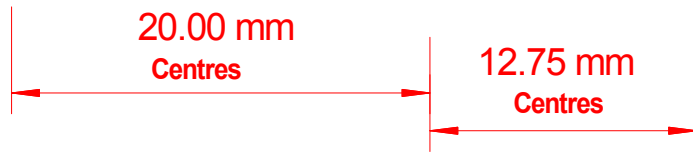
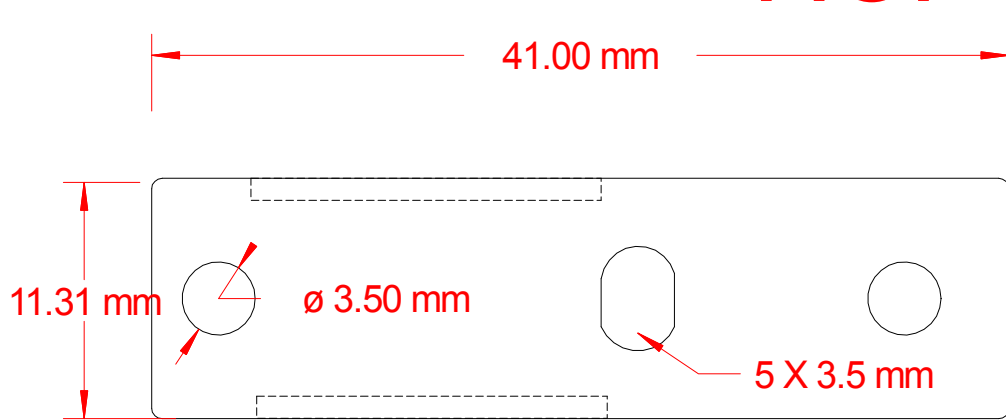


HOP1012



suitable for up to 4mm dia cord

			Title Hop1012 Hopkins Blinds 9/16" Dia Guide Pulley		
			Drawing No. Hop1012	Revision A	Scale NTS
THIS DOCUMENT IS THE PROPERTY OF HOPKINS BLIND & SHUTTER FITTINGS LTD. THIS DOCUMENT AND ANY INFORMATION CONTAINED HEREIN MAY NOT BE REPRODUCED, USED OR DISCLOSED TO ANY THIRD PARTY WITHOUT THE EXPRESS WRITTEN PERMISSION OF THE OWNER.					
File I:\HOPDC00\Documents\Drawings\Alex\WH0755.SKF					
Drawing Status PROD		Drawn By BA	Approved By AH		
		Date 24/04/13			Date 08/04/13
Notes					
1.6mm mild steel strip Tolerance +/- 0.1mm					