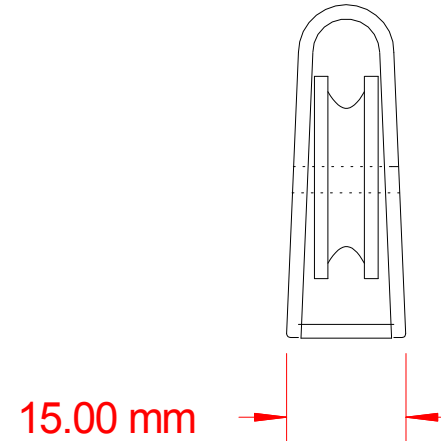
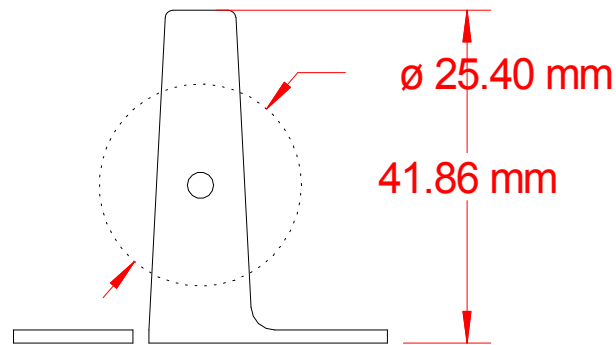
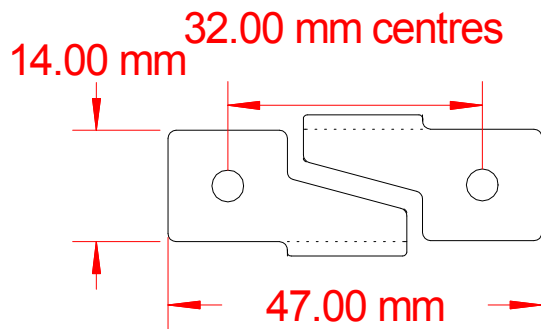



# Hop10101 1" upright pulley



		
<p>THIS DOCUMENT IS THE PROPERTY OF HOPKINS BLIND &amp; SHUTTER FITTINGS LTD. THIS DOCUMENT AND ANY INFORMATION CONTAINED HEREIN MAY NOT BE REPRODUCED, USED OR DISCLOSED TO ANY THIRD PARTY WITHOUT THE EXPRESS WRITTEN PERMISSION OF THE OWNER.</p>		
<p><b>Title</b> Hopkins Blinds 1" Dia Pulley Wheel runs with plate</p>		
<p><b>Drawing No.</b> Hop10101</p>	<p><b>Revision</b> A</p>	<p><b>Scale</b> NTS</p>
<p><b>File</b> \\HOPDC001\Documents\Drawings\Alex\WH0755.SKF</p>		
<p><b>Drawing Status</b> PROD</p>	<p><b>Drawn By</b> BA <b>Date</b> 14/05/13</p>	<p><b>Approved By</b>  <b>Date</b></p>
<p><b>Notes</b></p>		
<p>1.8mm steel strip</p>		