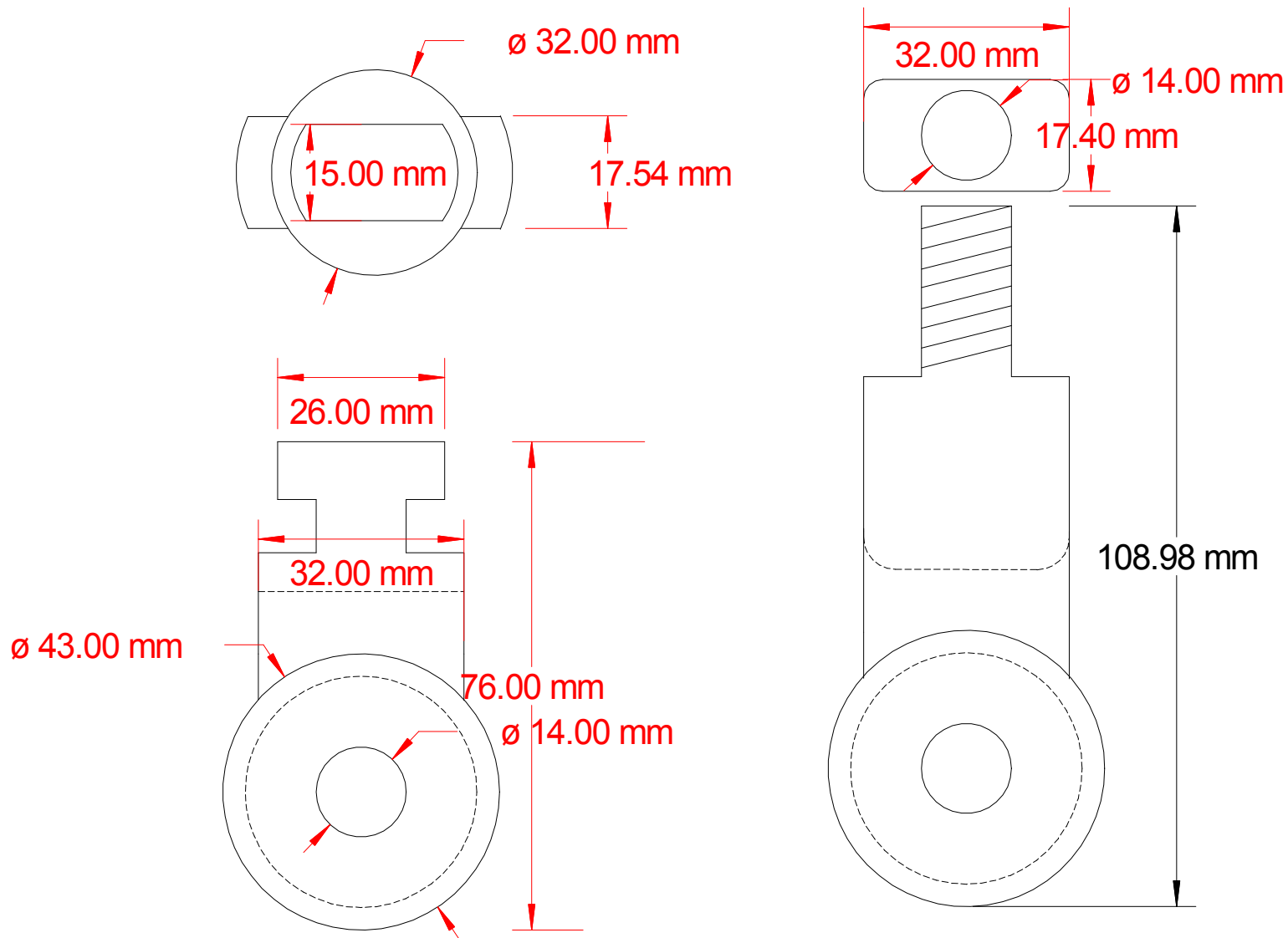


# FF4090

Ground Unit Eyes 90mm



			Title Hopkins Blinds 90mm Ground Unit Eyes	
Drawing No. FF4090	Revision A	Scale NTS		
<small>THIS DOCUMENT IS THE PROPERTY OF HOPKINS BLIND &amp; SHUTTER FITTINGS LTD. THIS DOCUMENT AND ANY INFORMATION CONTAINED HEREIN MAY NOT BE REPRODUCED, USED OR DISCLOSED TO ANY THIRD PARTY WITHOUT THE EXPRESS WRITTEN PERMISSION OF THE OWNER.</small>				
File H:\PROJ\00\Documents\Drawings\A\W0115L.SKP		Drawing Status PROD		
Drawn By BA	Approved By	Date 27/06/13	Date	
Notes				

Facchinetti