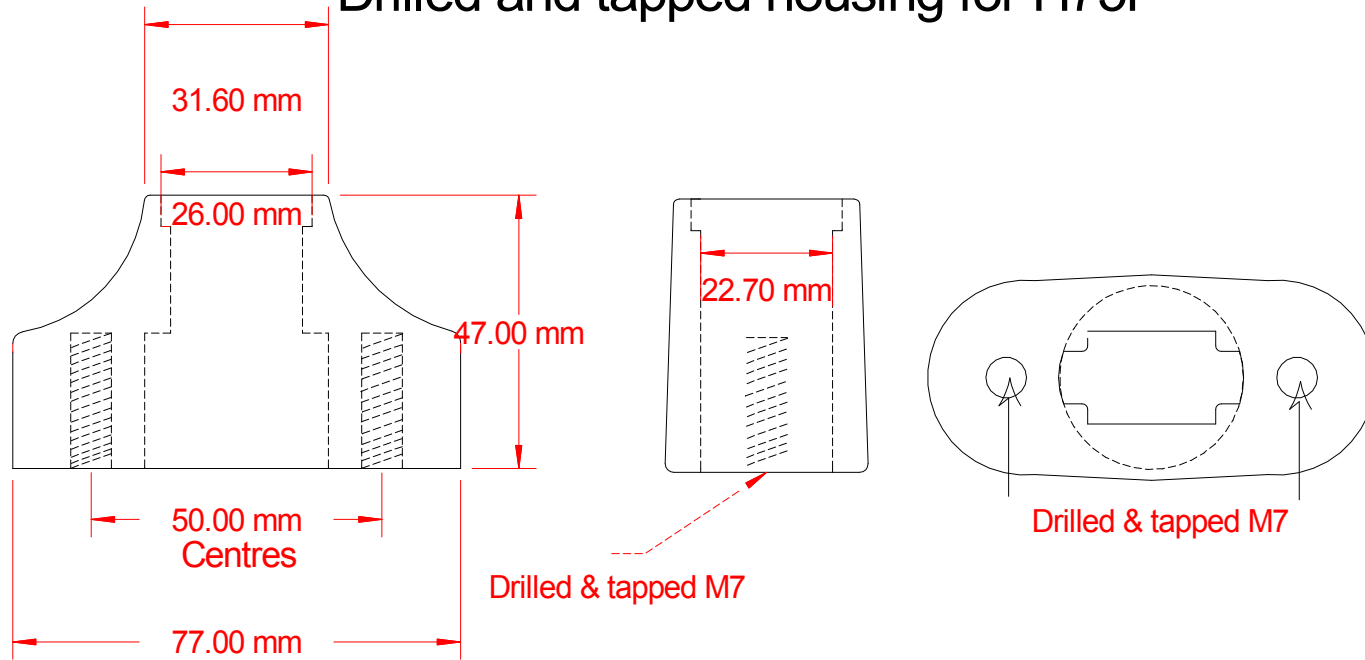


# H75T

Drilled and tapped housing for H75P



			<b>Title</b> Hopkins Blinds Drilled & Tapped Housing		
			<b>Drawing No.</b> H75T	<b>Revision</b> A	<b>Scale</b> NTS
<small>THIS DOCUMENT IS THE PROPERTY OF HOPKINS BLIND &amp; SHUTTER FITTINGS LTD. THIS DOCUMENT AND ANY INFORMATION CONTAINED HEREIN MAY NOT BE REPRODUCED, USED OR DISCLOSED TO ANY THIRD PARTY WITHOUT THE EXPRESS WRITTEN PERMISSION OF THE OWNER.</small>					
File \\HOPDC00\Documents\Drawings\Alex\WH075S.SKF					
Malleable Cast Iron BZP			<b>Drawing Status</b> PROD	<b>Drawn By</b> BA	<b>Approved By</b>
			Date 10/06/13	Date	Date
Notes					