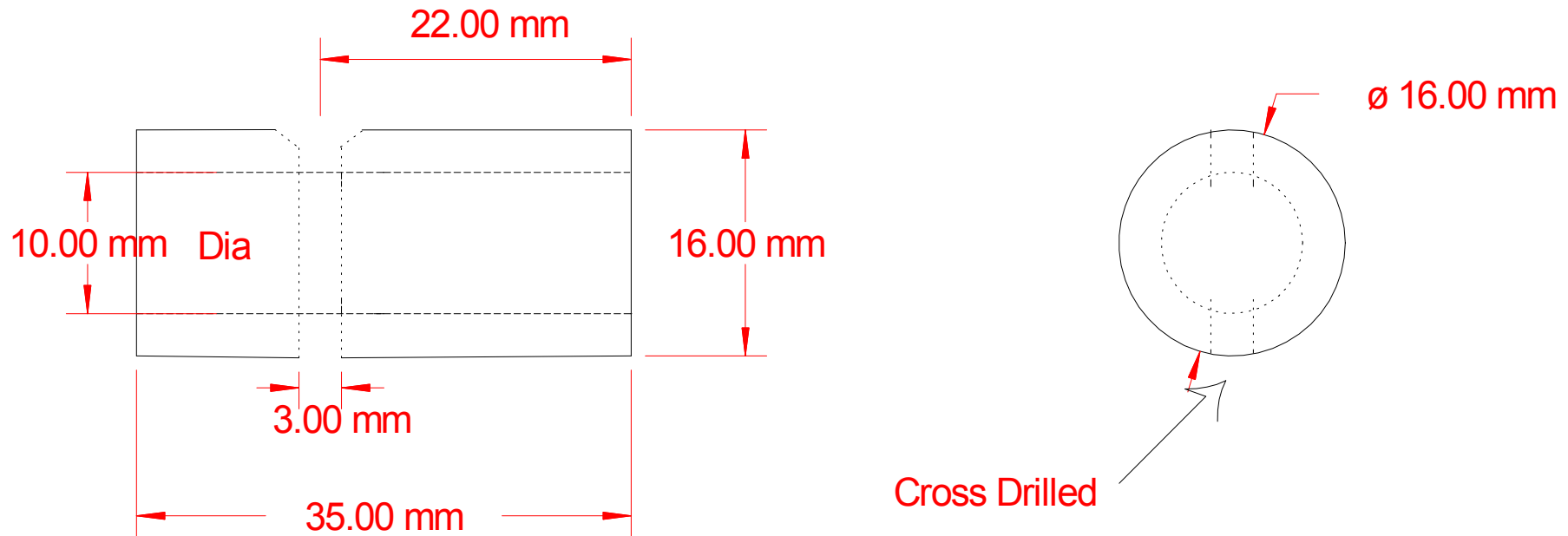


# MT22A

## 10mm Round to 10mm Round Rod Adaptor



# HOPKINS

THIS DOCUMENT IS THE PROPERTY OF HOPKINS BLIND & SHUTTER FITTINGS LTD. THIS DOCUMENT AND ANY INFORMATION CONTAINED HEREIN MAY NOT BE REPRODUCED, USED OR DISCLOSED TO ANY THIRD PARTY WITHOUT THE EXPRESS WRITTEN PERMISSION OF THE OWNER.

Zinc Plated Mild Steel

<b>Title</b> Hopkins Blinds 10m round to 10m round adaptor		
<b>Drawing No.</b> MT22B	<b>Revision</b> A	<b>Scale</b> NTS
<b>File</b> \\HOPDC00\Documents\Drawings\Alex\WH075S.SKF		
<b>Drawing Status</b> PROD	<b>Drawn By</b> BA	<b>Approved By</b>
<b>Date</b> 30/07/13	<b>Date</b>	
<b>Notes</b>		