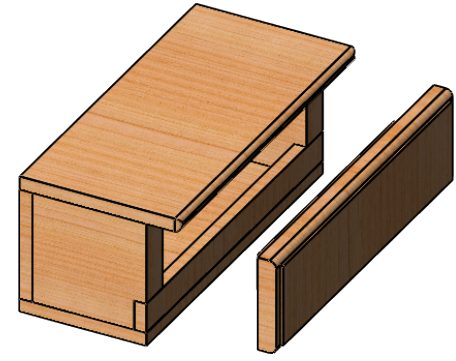


2

1

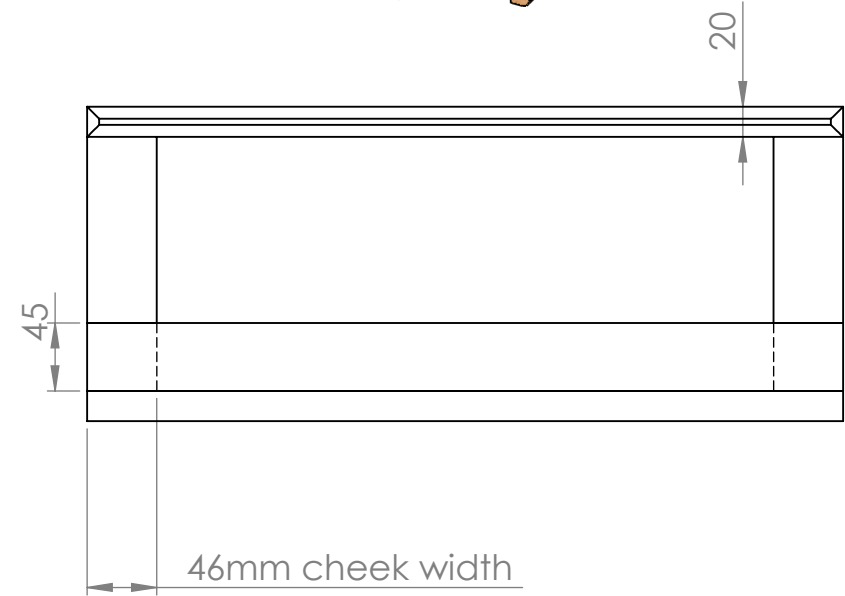
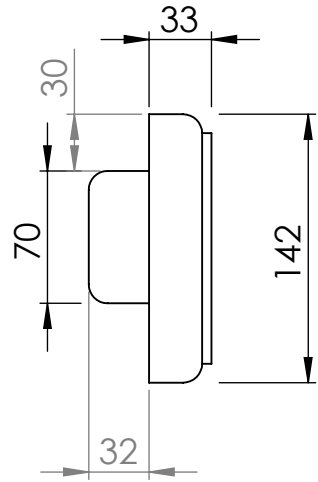
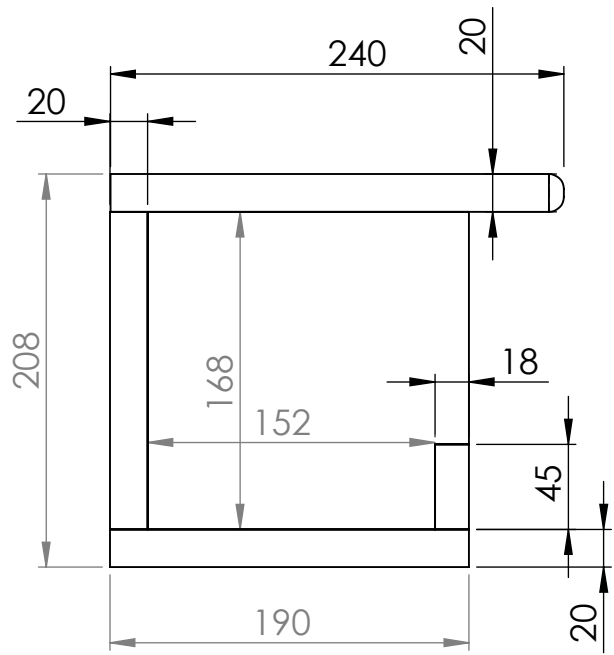


EXAMPLE



B

B



A

A

PROPRIETARY AND CONFIDENTIAL
THE INFORMATION CONTAINED IN THIS DRAWING IS THE SOLE PROPERTY OF HOPKINS PRECISION LTD. ANY REPRODUCTION IN PART OR AS A WHOLE WITHOUT THE WRITTEN PERMISSION OF HOPKINS PRECISION LTD IS PROHIBITED.

| | | | | | |
|-------------|---------|--------------------------------------|-----------|------|------|
| | | UNLESS OTHERWISE SPECIFIED: | | NAME | DATE |
| | | DIMENSIONS ARE IN mm | DRAWN | AH | |
| | | TOLERANCES: 0.1mm | CHECKED | BA | |
| | | FRACTIONAL ± | ENG APPR. | | |
| | | ANGULAR: MACH ± BEND ± | MFG APPR. | | |
| | | TWO PLACE DECIMAL ±.01 | Q.A. | | |
| | | THREE PLACE DECIMAL ±.001 | COMMENTS: | | |
| | | INTERPRET GEOMETRIC TOLERANCING PER: | | | |
| | | MATERIAL redwood | | | |
| | | FINISH | | | |
| NEXT ASSY | USED ON | | | | |
| APPLICATION | | DO NOT SCALE DRAWING | | | |

| | | |
|-----------------------|-----------------|--------------|
| Hopkins Precision Ltd | | |
| TITLE: | | |
| SHOP BLIND BOX | | |
| SIZE | DWG. NO. | REV |
| A | SBBOX3.5 | A |
| SCALE: 1:10 | | SHEET 1 OF 1 |

2

1