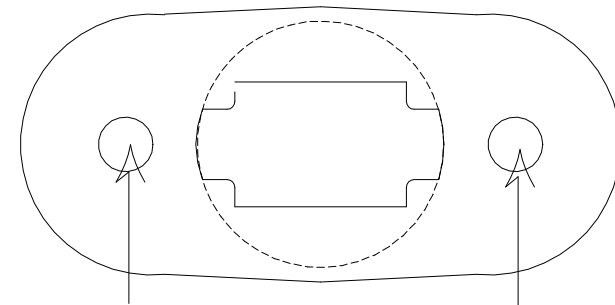
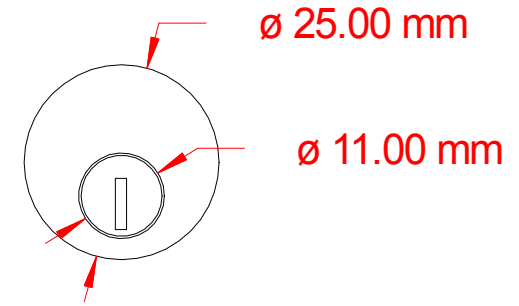
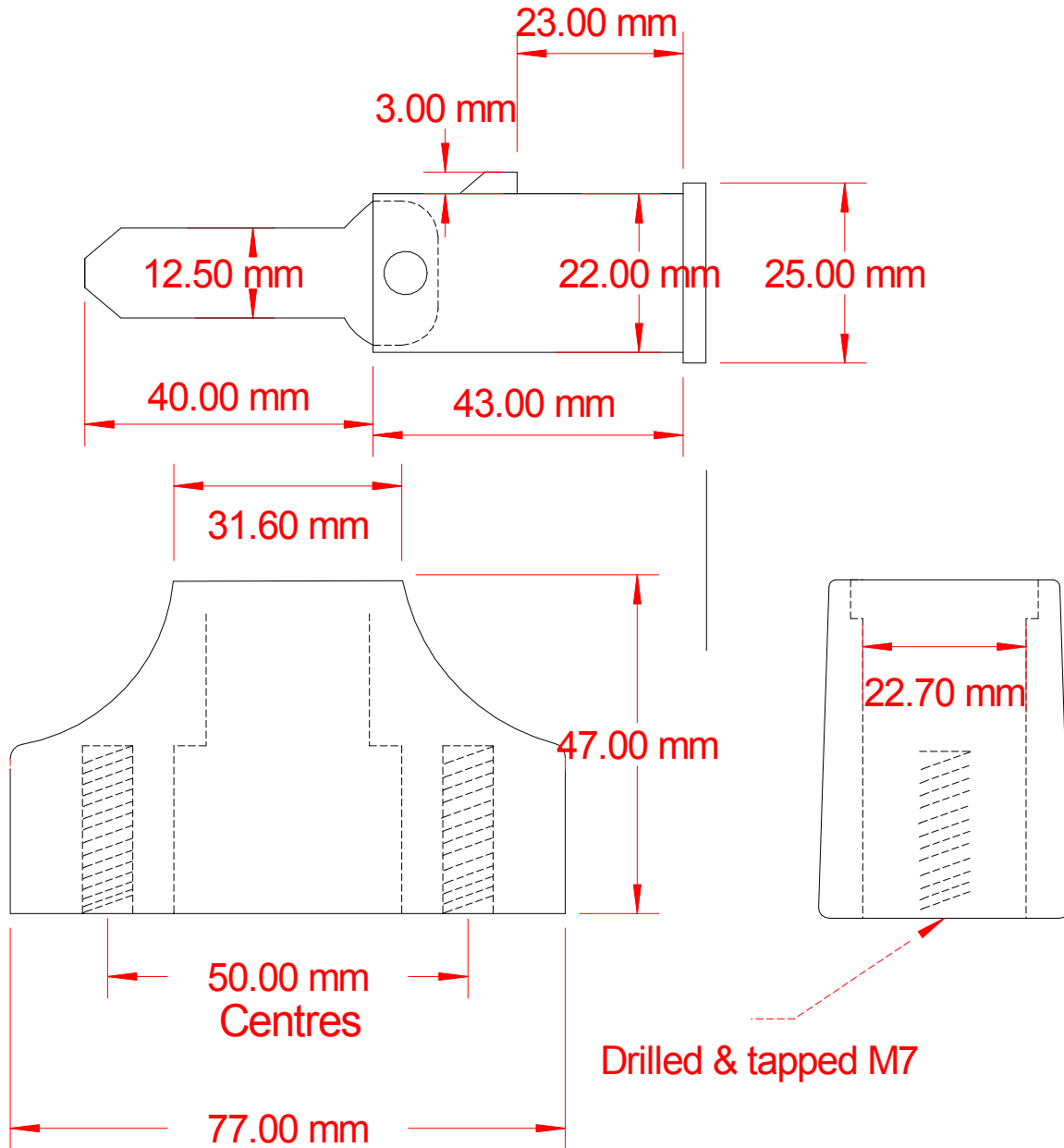


# H75S

## 40mm Euro pin lock Complete with Housing



Drilled & tapped M7

<b>HOPKINS</b>		Title <b>Hopkins Blinds 40mm Pin Lock (Complete)</b>	
Drawing No. <b>H75S</b>	Revision <b>A</b>	Scale <b>NTS</b>	
THIS DOCUMENT IS THE PROPERTY OF HOPKINS BLIND & SHUTTER FITTINGS LTD. THIS DOCUMENT AND ANY INFORMATION CONTAINED HEREIN MAY NOT BE REPRODUCED, USED OR DISCLOSED TO ANY THIRD PARTY WITHOUT THE EXPRESS WRITTEN PERMISSION OF THE OWNER.			
File W:\PRODCAD\Documents\Drawings\Alex\H75S.SKP		Approved By	
Drawing Status <b>PROD</b>	Drawn By <b>BA</b>	Date 27/06/13	Date
Notes			