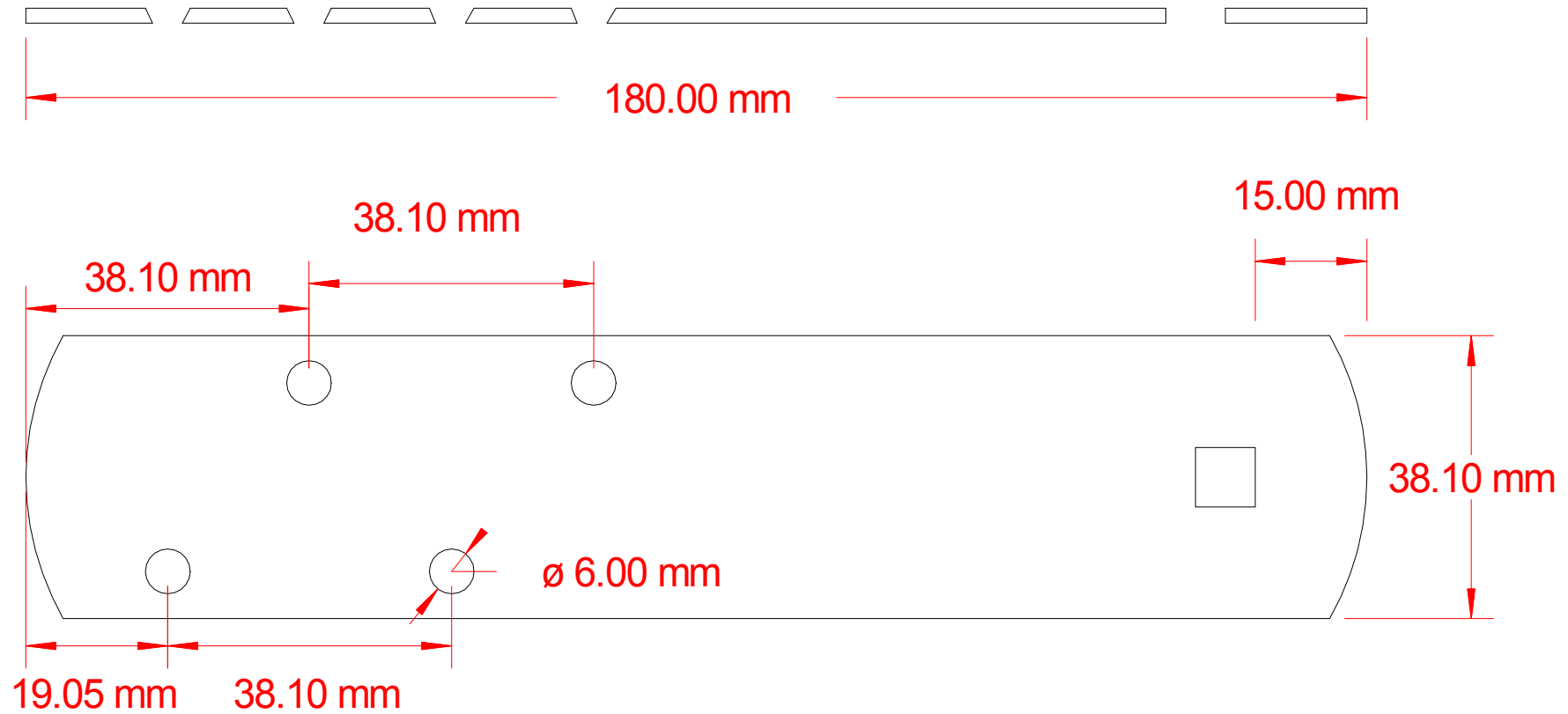


# Hop 1031D



		<b>Title</b> 7" Strap Bracket x 0.3125" Square	
		<b>Drawing No.</b> Hop1031D	<b>Revision</b> A
<small>THIS DOCUMENT IS THE PROPERTY OF HOPKINS BLIND &amp; SHUTTER FITTINGS LTD. THIS DOCUMENT AND ANY INFORMATION CONTAINED HEREIN MAY NOT BE REPRODUCED, USED OR DISCLOSED TO ANY THIRD PARTY WITHOUT THE EXPRESS WRITTEN PERMISSION OF THE OWNER.</small>			
File \\hopdc00\documents\Drawings\WEB Ready\SKF			
<b>Drawing Status</b> PROD	Drawn By BA	Approved By AH	
	Date 04/04/13	Date 04/04/13	
documents\Drawings\WEB Ready\SKF Tolerance +/- 0.1mm			
<b>Notes</b>			