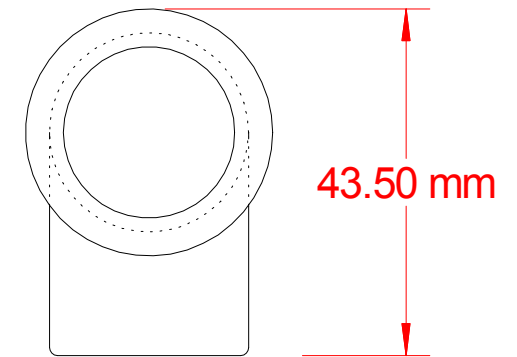
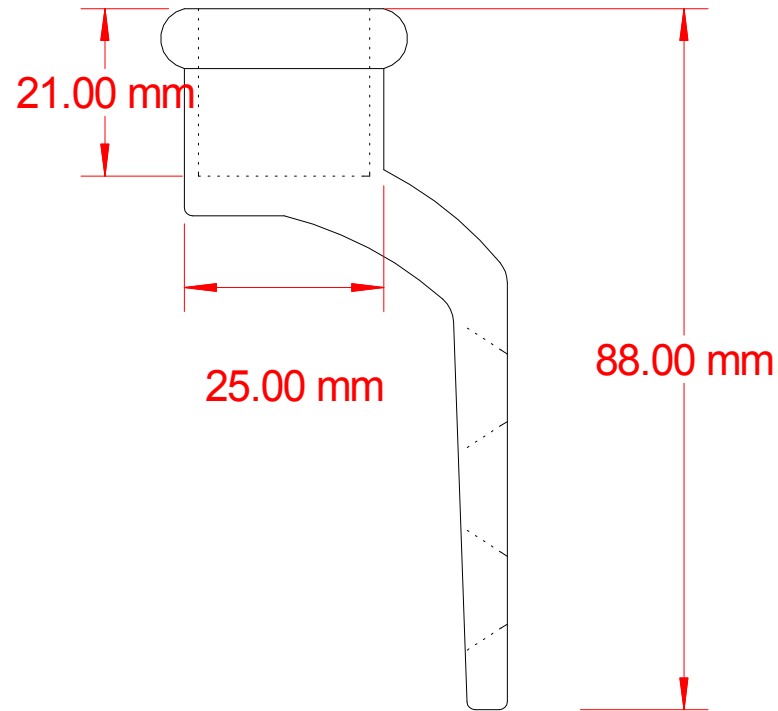
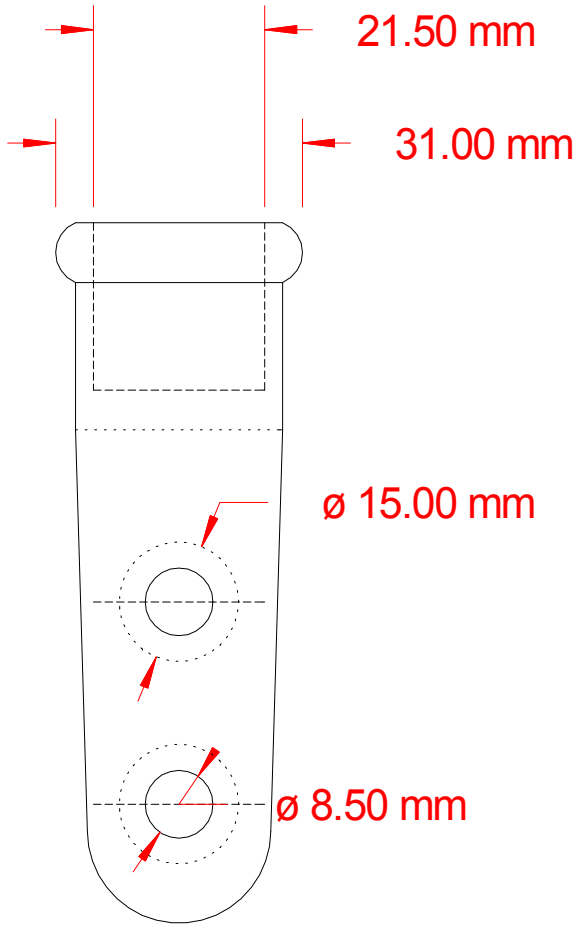


Hop1055A

0.75" Dia Tops & Bottoms



		Title Hopkins Blinds 0.75" Dia Top & Bottoms	
		Drawing No. Hop1055A	Revision A
<small>THIS DOCUMENT IS THE PROPERTY OF HOPKINS BLIND & SHUTTER FITTINGS LTD. THIS DOCUMENT AND ANY INFORMATION CONTAINED HEREIN MAY NOT BE REPRODUCED, USED OR DISCLOSED TO ANY THIRD PARTY WITHOUT THE EXPRESS WRITTEN PERMISSION OF THE OWNER.</small>			
File HOPPC000DocumentsDrawings\Max\WH0755.SKP		Drawn By AH	Approved By
Drawing Status PROD		Date 18/07/13	Date
Notes			
Malleable Iron			