

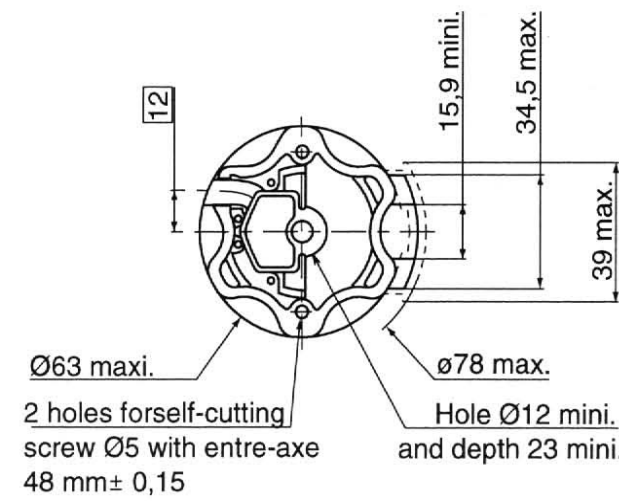
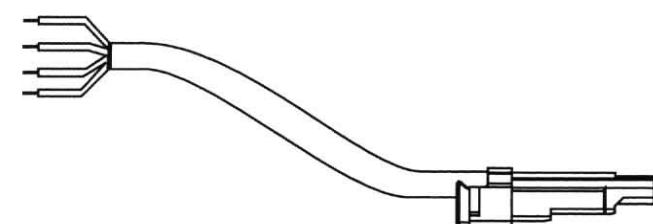
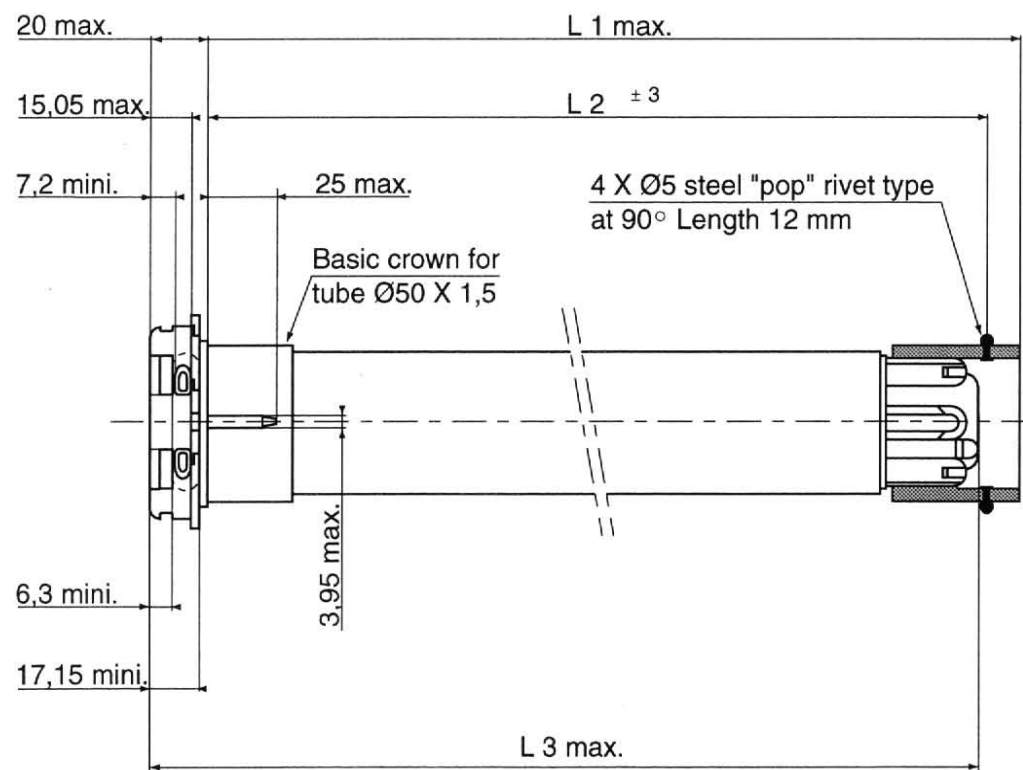
SOMFY [®]	25/08/99	LT 50 TECHNICAL DATA	DMKI - FPTE RANGE 1 LT50Range1R2
---------------------------	----------	-----------------------------	--

Nominal voltage	230 V - 50 Hz
Power supply tolerances	207 - 244V
Thermal time	4 minutes
Number of wires of the cable	4
Wire section	0,75 mm ²
Type of limit switch unit	Quick limit switch
Capacity of the LSU	46 turns
Repeatability	± 5°
System of protection	IP 44
Interface drawings	Screw implantation for LT50 mounting 206810-Wheel interface LT50 206821-Crown interface LT50 206822-Interface drawing star head LT50 and LT50PA/PS 206823-Interface drawing LT50&60 buttons 206817.
Basic crown for tube Ø	50 x 1,5 mm
Temperature working range	Normal use : -10°C to +40°C Exceptional use (20% of the life time not continuous) : -25°C to + 70°C
Noise level	According to SOMFY measures (for information only).Worse value : in load up direction during 10 seconds.

Designation	Nm	rpm	reference	mm	mm	mm	mm	W	A	°C	Brake type	kg	dBA
	Nominal torque	Nominal speed		L1 max.	L2 (±3 mm)	L3 max.	tube	Rated power	Rated current	Thermal tripping		Weight	Noise
Hermes	4	32	200330	505	490	513	440	90	0,45	140	sliding	1,72	51
	4	54	200359	525	510	533	460	140	0,65	150	sliding	1,95	-
Start	6	17	200337*	505	490	513	440	90	0,45	140	sliding	1,72	47
Ariane	6	17	200320	505	490	513	440	90	0,4	140	sliding	1,72	46
	6	32	200331	525	510	533	460	120	0,5	140	sliding	1,85	52
Ceres	8	12	200310	505	490	513	440	90	0,4	140	sliding	1,72	46
	8	17	200321	505	490	513	440	90	0,45	140	sliding	1,72	47
Jet	10	12	200311	505	490	513	440	90	0,45	140	sliding	1,72	45
	10	17	200322	525	510	533	460	120	0,5	140	sliding	1,85	47
	10	32	200332	555	540	563	490	160	0,75	150	sliding	2,15	54
Atlas	15	12	200312	525	510	533	460	120	0,5	140	sliding	1,85	48
	15	17	200323	525	510	533	460	140	0,65	150	sliding	1,95	50
	15	32	200333	605	590	613	540	240	1,1	150	sliding	2,55	56
Meteor	20	12	200313	525	510	533	460	140	0,65	150	sliding	1,95	48
	20	17	200324	555	540	563	490	160	0,75	150	sliding	2,15	53
Gemini	25	17	200325	555	540	563	490	170	0,8	150	sliding	2,2	56
Helios	30	12	200315	555	540	563	490	160	0,75	150	sliding	2,15	55
	30	17	200326	605	590	613	540	240	1,1	150	sliding	2,55	55
Apollo	35	12	200319	555	540	563	490	170	0,8	150	sliding	2,2	56
	35	17	200327	605	590	613	540	240	1,1	150	sliding	2,55	56
Mariner	40	12	200316	605	590	613	540	240	1,1	150	sliding	2,55	55
	40	17	200328	655	640	663	590	270	1,2	140	coil brake	2,8	57
Vectran	45	12	200317	605	590	613	540	240	1,1	150	sliding	2,55	55
	50	12	200318	605	590	613	540	240	1,1	150	sliding	2,55	55

SOMFY®	25/08/99	LT 50 TECHNICAL DATA	RANGE 1
---------------	----------	-----------------------------	----------------

WIRING	Neutral	Blue
	White button	Brown
	Yellow button	Black
	Earth	Green / Yellow



Visa :	DT	Quality	GMD
--------	----	---------	-----