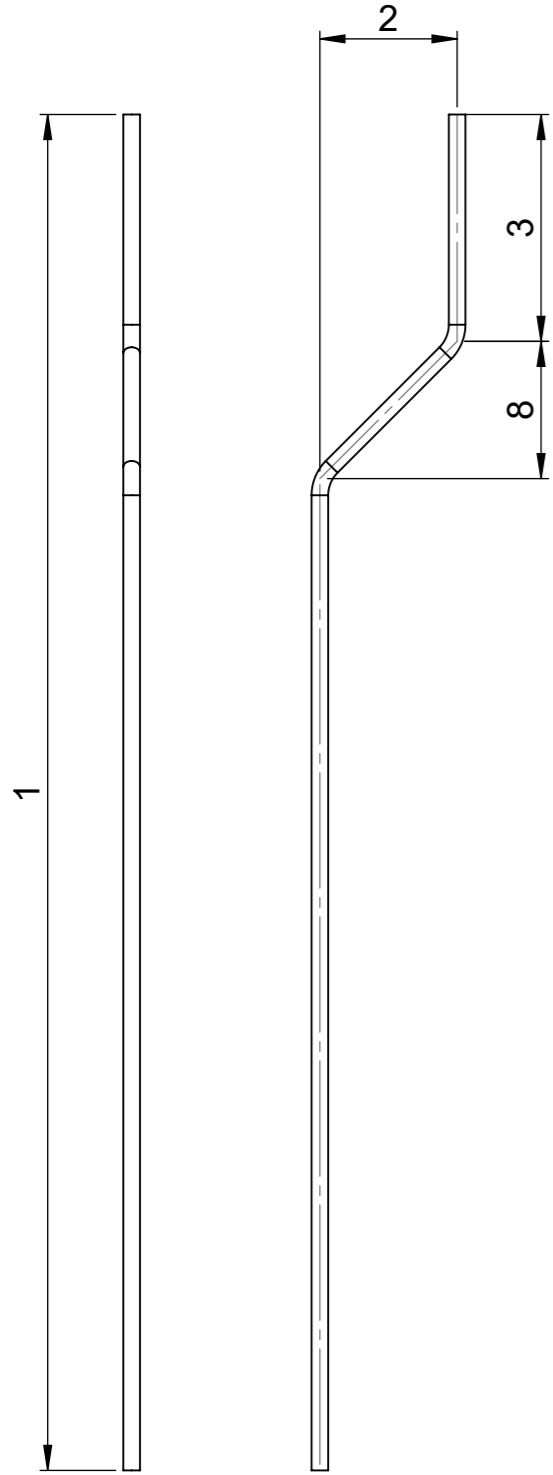
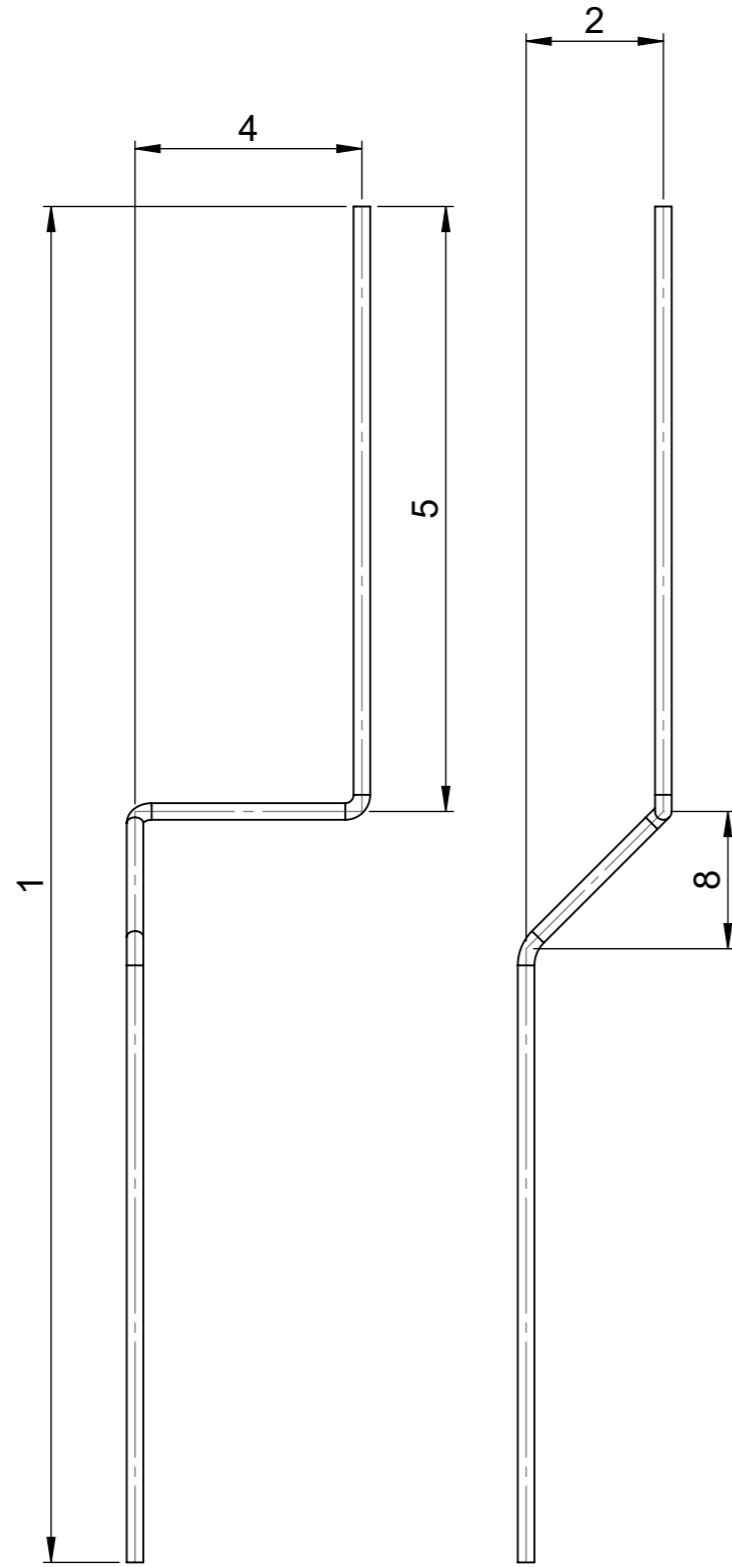


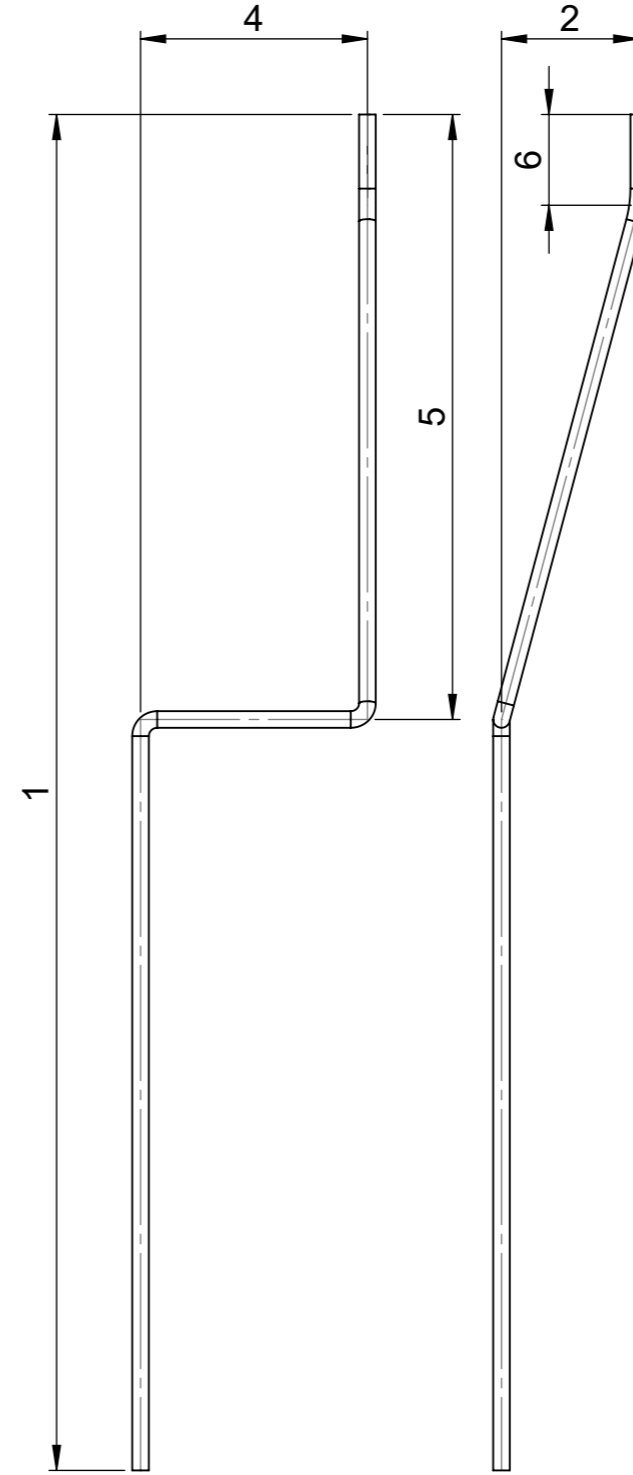
BB ARM



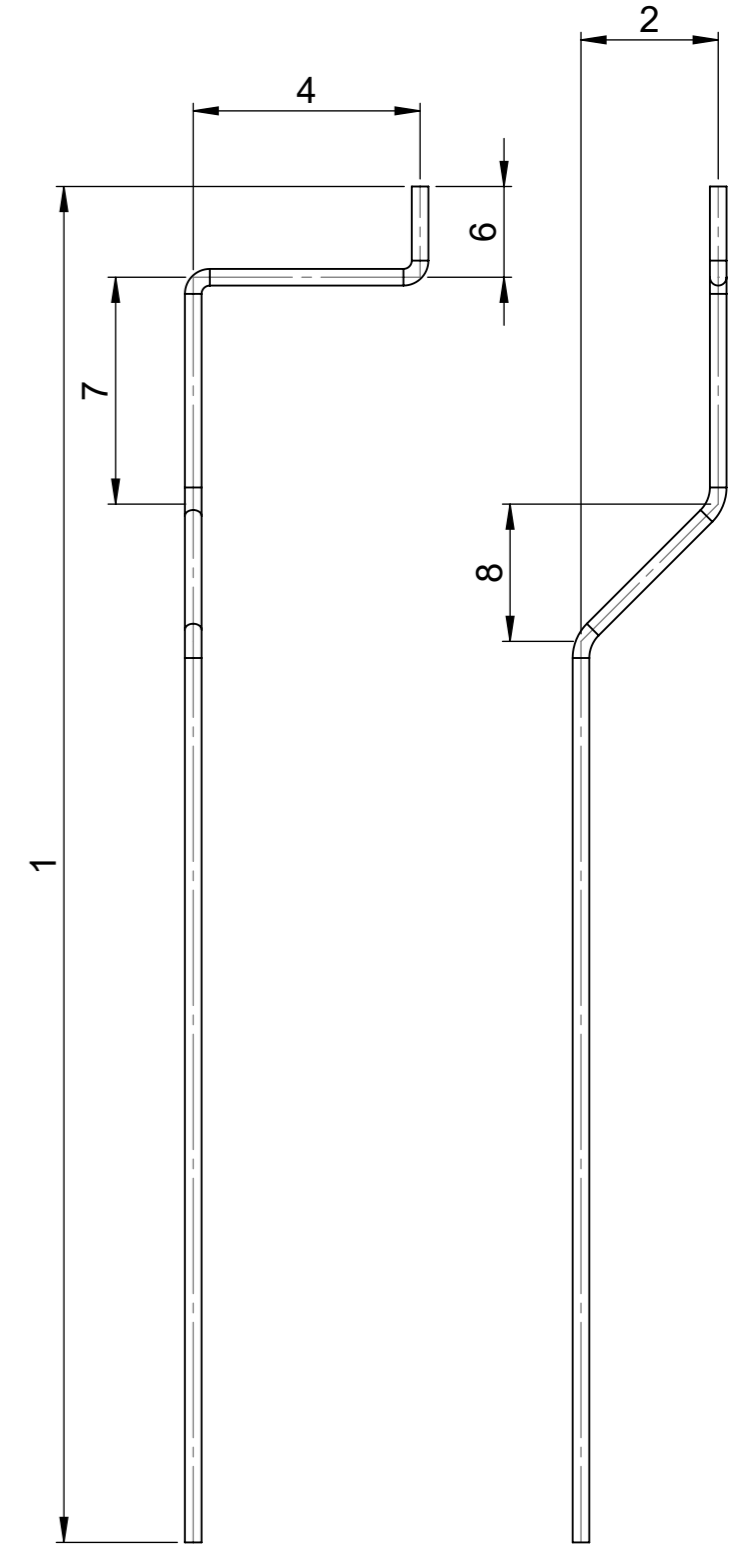
SB BB ARM



BB SB ARM



STD SB BB ARM



- 1= Arm Projection (Formula: Arm dimension won't be as per text document)
- 2=Box Projection (Formula: Arm dimension won't be as per text document)
- 3=Distance to BB
- 4=Side Bend Distance
- 5=Distance to SB
- 6=Arm Top Straight
- 7=Arm STD BB Length
- 8=Arm Bend Distance

- ARMS:
 "Arm Bend Distance"
 90 Deg. = 0
 45 Deg. = Box Projection - 41.5 (Slide Arms)
 45 Deg. = Box Projection - 5.5 (Cannon Shoe)