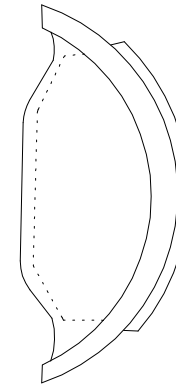
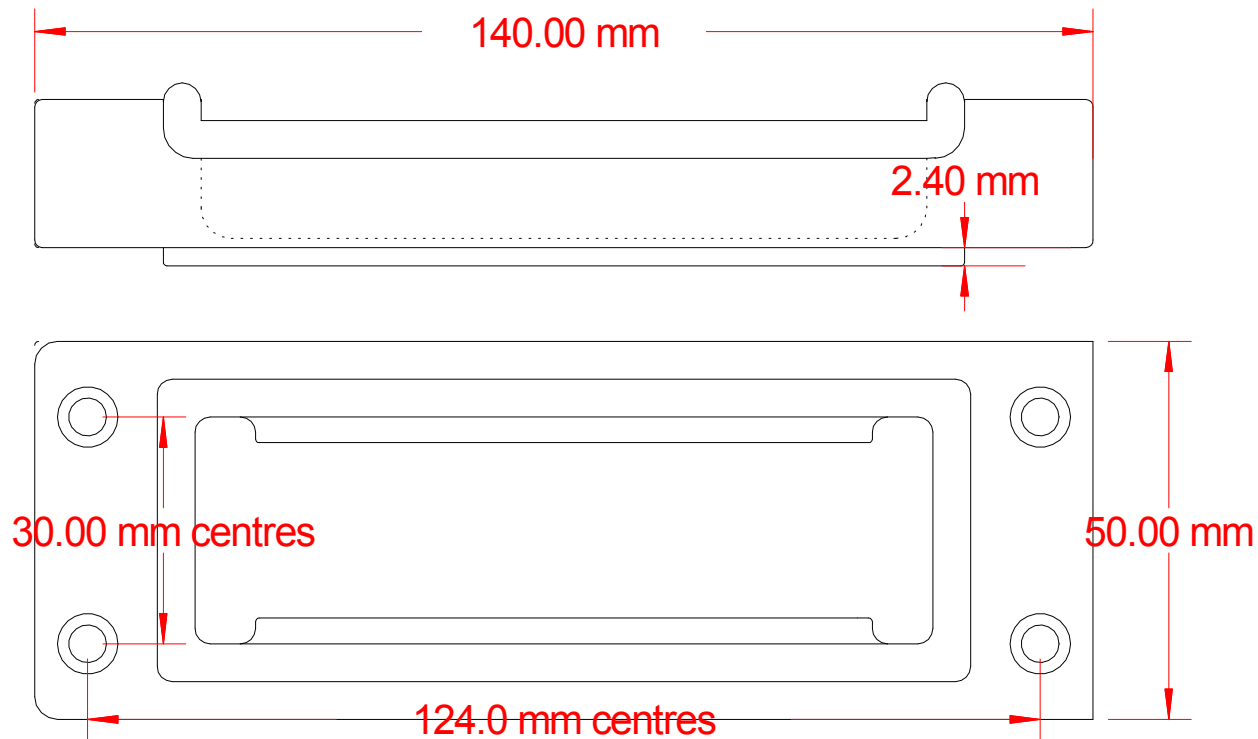


# Hop 1070 Flush Lift

## To suit 3" curved Lath



<b>HOPKINS</b>		Title Hopkins Blinds Cast Flush Lift	
Drawing No. Hop1070	Revision A	Scale NTS	
<small>THIS DOCUMENT IS THE PROPERTY OF HOPKINS BLIND &amp; SHUTTER FITTINGS LTD. THIS DOCUMENT AND ANY INFORMATION CONTAINED HEREIN MAY NOT BE REPRODUCED, USED OR DISCLOSED TO ANY THIRD PARTY WITHOUT THE EXPRESS WRITTEN PERMISSION OF THE OWNER.</small>			
File HOPKINS\Documents\Drawings\Aba\HW1070.SKP			
Drawing Status <b>PROD</b>	Drawn By BA	Approved By	Date
		22/05/13	
Notes			
To suit 3" curved lath			