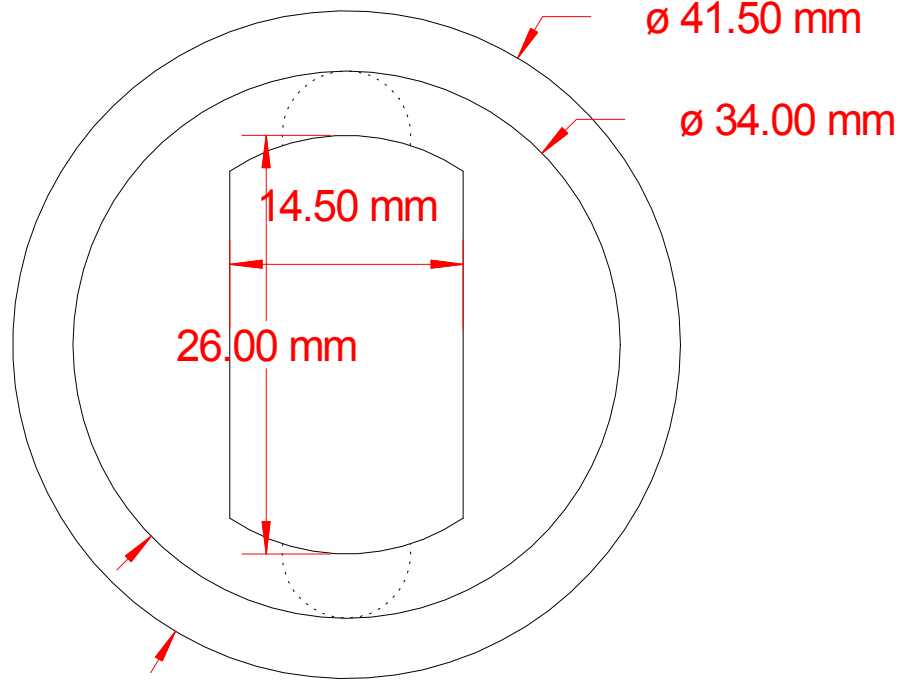
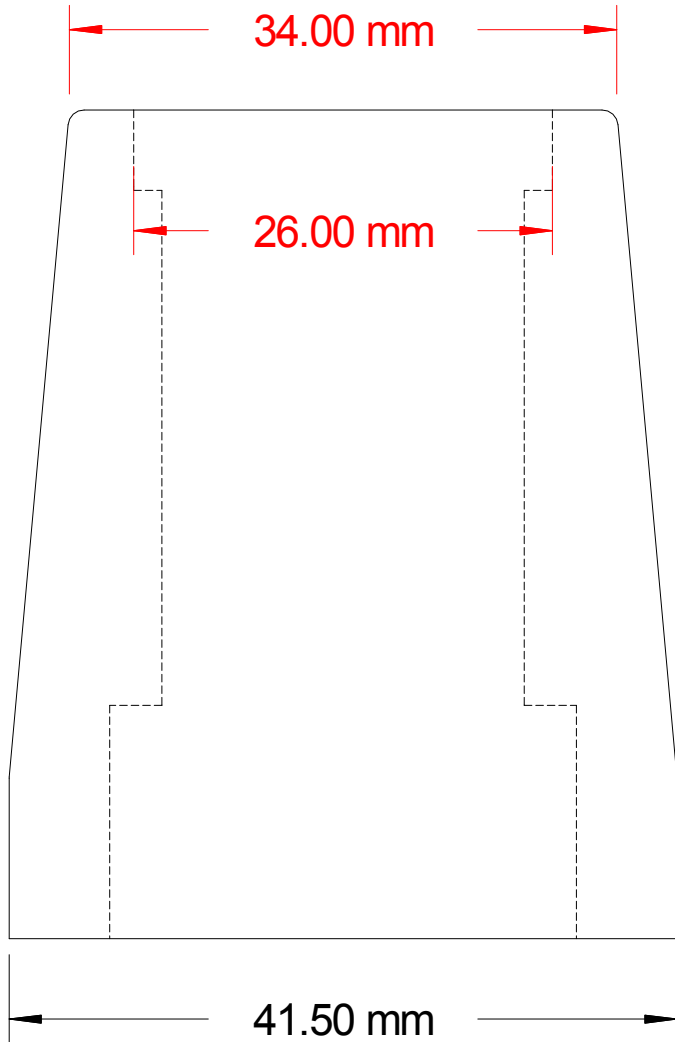



# H75CU



			<b>Title</b> Hopkins Blinds Lock Hub Casting for H75 Pin		
			<b>Drawing No.</b> H75CU	<b>Revision</b> A	<b>Scale</b> NTS
<small>THIS DOCUMENT IS THE PROPERTY OF HOPKINS BLIND &amp; SHUTTER FITTINGS LTD. THIS DOCUMENT AND ANY INFORMATION CONTAINED HEREIN MAY NOT BE REPRODUCED, USED OR DISCLOSED TO ANY THIRD PARTY WITHOUT THE EXPRESS WRITTEN PERMISSION OF THE OWNER.</small>					
<small>File</small> \\HOPDC00\Documents\Drawings\Alex\WH0755.SKF					
<b>Drawing Status</b> PROD		<b>Drawn By</b> BA	<b>Approved By</b>		
		<b>Date</b> 01/07/13	<b>Date</b>		
<b>Notes</b>					
Malleable Iron					