	17/11/2006 <span style="float: right;"><b>OXIMO TH WT TECHNICAL DATA</b></span>	DMKI - FPTE RANGE 1 OXIMO TH WT Range1
---	---	--

Nominal voltage	230 V - 50Hz
Power supply tolerances	207 - 253 V
Compatibility with switches & controls	Compatible with <b>locked switches</b> and automatism designed for motors ( <b>2 mutually locked outputs</b> ). Automatism should be based on <b>mechanical relays</b> (static relays & triacs may cause non functioning)
Thermal time	4 minutes for all motors
Number of wires of the cable	4
Wire section	0,75 mm <sup>2</sup>
Type of limit switch unit	Electronic
Type of adjusting of the end limits	Automatic - Half automatic - Manual setting- From switch or setting tool
Capacity of the LSU	250 turns limited to 3 minutes of rotation w/o STOP
Repeatability	<± 4°
System of protection	IP 44
Interface drawing	Wheel interface LT50 206821-Crown interface LT50 206822-Interface drawing Thin Head 206866.
Accessories compatibility	ABS wheel: Compatible - Differential: Not compatible - Double insulation accessories : Compatible
End product protection	At the up and down direction
Maximum time of functioning without stop	3 minutes
Basic crown for tube Ø	50 x 1,5 mm
Temperature working range	Normal use : -10°C to +40°C Exceptional use (20% of the life time not simultaneous) : -20°C to + 70°C
Noise level	According to SOMFY measures (for information only).Worse value : in load up direction during 10 seconds.

Designation	Nm	rpm	Reference	mm	mm	mm	mm	W	A	°C	Brake type	kg	dBa
	Nominal torque	Nominal speed		L1 max.	L2 (±3 mm )	L3 max.	tube	Rated power	Rated current	Thermal tripping		Weight	Noise
OXIMO TH WT 6/17	6	17	5010957A	605	590	613	540	90	0,45	140	sliding	1,72	47
OXIMO TH WT 10/17	10	17	5010958A	655	640	663	590	120	0,5	140	sliding	1,85	47
OXIMO TH WT 15/17	15	17	5010959A	655	640	663	590	140	0,65	150	sliding	1,95	50
OXIMO TH WT 20/17	20	17	5010960A	655	640	663	590	160	0,75	150	sliding	2,15	53

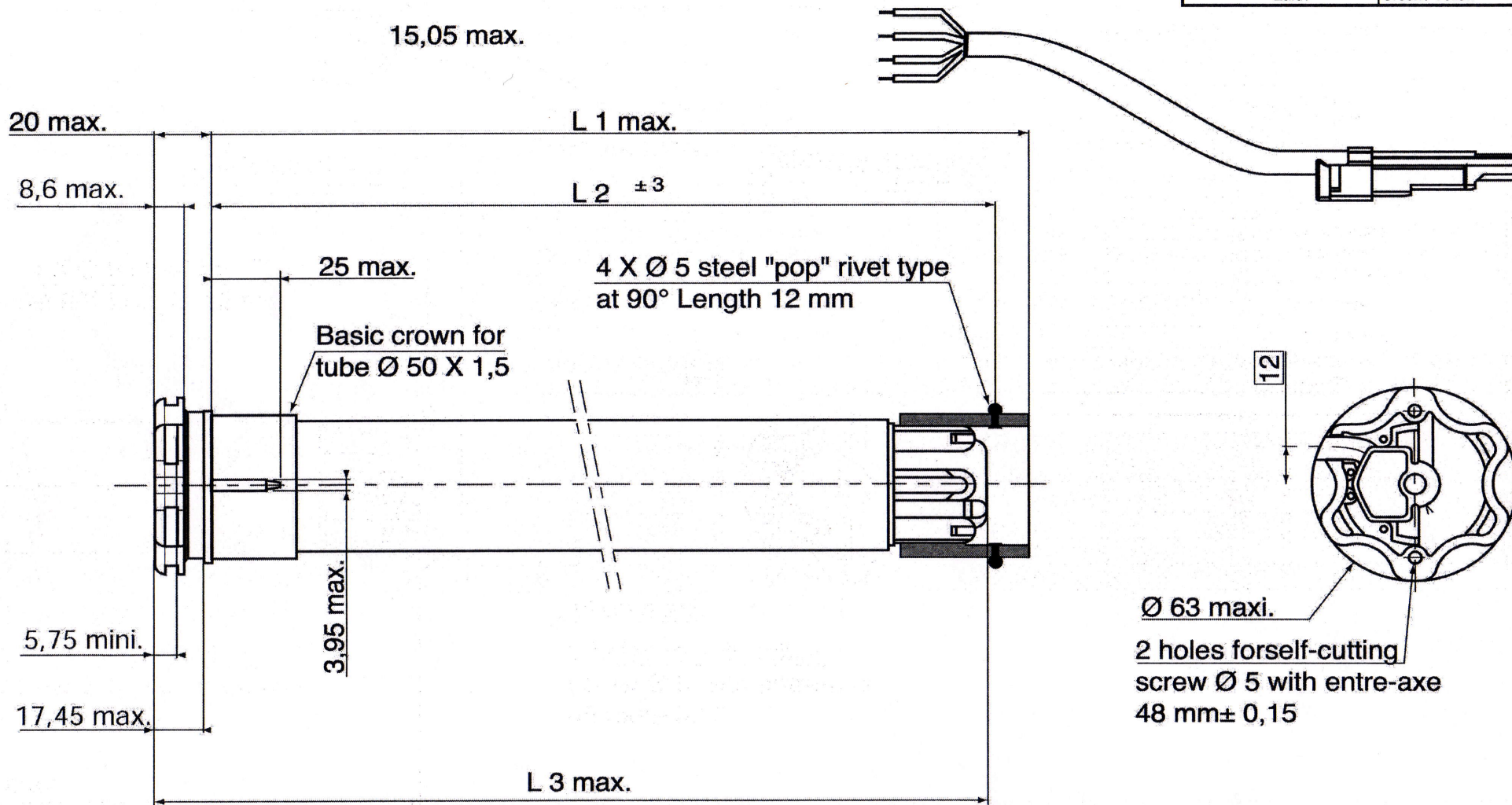


17/11/2006

OXIMO TH WT TECHNICAL DATA

RANGE 1

WIRING	Neutral	Blue
	Direction 1	Brown
	Direction 2	Black
	Earth	Green / Yellow



Visa : DT *P. RAYOIRE* Quality *P. RUGER* Mkg *Chantagnat*