

# XQ60

Motor tube Ø:



Motor for:

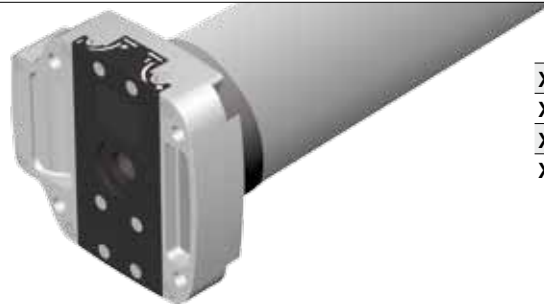
GARAGE DOORS



AWNINGS



## TUBULAR MOTORS WITH MANUAL OVERRIDE.



	Torque (Nm)	Speed (rpm)
<b>XQ6M6012</b>	60	12
<b>XQ6M8012</b>	80	12
<b>XQ6M10012</b>	100	12
<b>XQ6M12012</b>	120	12

## TUBULAR MOTORS WITH MANUAL OVERRIDE AND INTEGRATED RECEIVER.



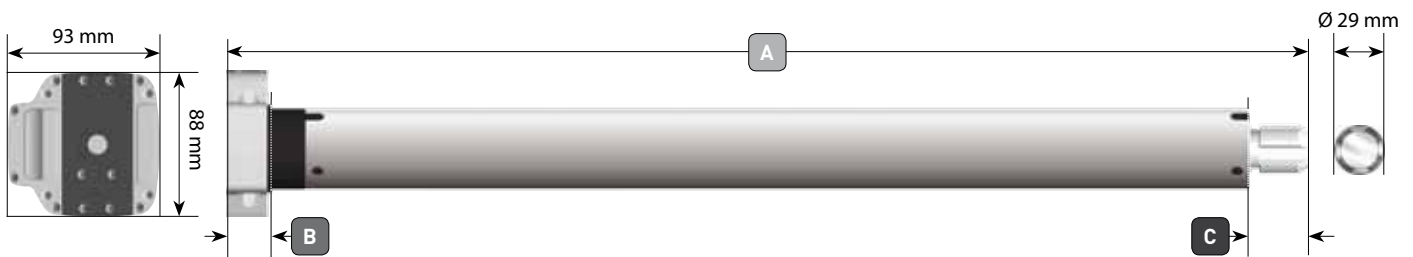
	Torque (Nm)	Speed (rpm)
<b>XQ6MR6012</b>	60	12
<b>XQ6MR8012</b>	80	12
<b>XQ6MR10012</b>	100	12
<b>XQ6MR12012</b>	120	12

## TECHNICAL DETAILS

	60Nm	80Nm	100Nm	120Nm
	XQ6M6012	XQ6M8012	XQ6M10012	XQ6M12012
	XQ6MR6012	XQ6MR8012	XQ6MR10012	XQ6MR12012
Power Supply (V~)	230	230	230	230
Frequency (Hz)	50	50	50	50
Limit Switch Max. Turns	26	26	26	26
Speed (rpm)	12	12	12	12
Absorption (A)	1.9	2	2.45	2.65
Power (W)	420	440	540	580
Standard cable length (m)	2.5	2.5	2.5	2.5
Working temperature	-10°C/40°C	-10°C/40°C	-10°C/40°C	-10°C/40°C
Duty rating (Min)	4	4	4	4
Protection (IP)	44	44	44	44

## DIMENSIONS (mm)

	XQ6M6012	XQ6M8012	XQ6M10012	XQ6M12012	XQ6MR6012	XQ6MR8012	XQ6MR10012	XQ6MR12012
<b>A</b>	762	762	762	762	907	907	907	907
<b>B</b>	24.5	24.5	24.5	24.5	24.5	24.5	24.5	24.5
<b>C</b>	32	32	32	32	32	32	32	32



Wireless control.



Basic switch control.



A strong metal motor head reliable for intensive manual override and heavy applications.



ADAPTORS

51



BRACKETS

55