

HOPGB4-1E – Gearbox 4-1 ratio with eye

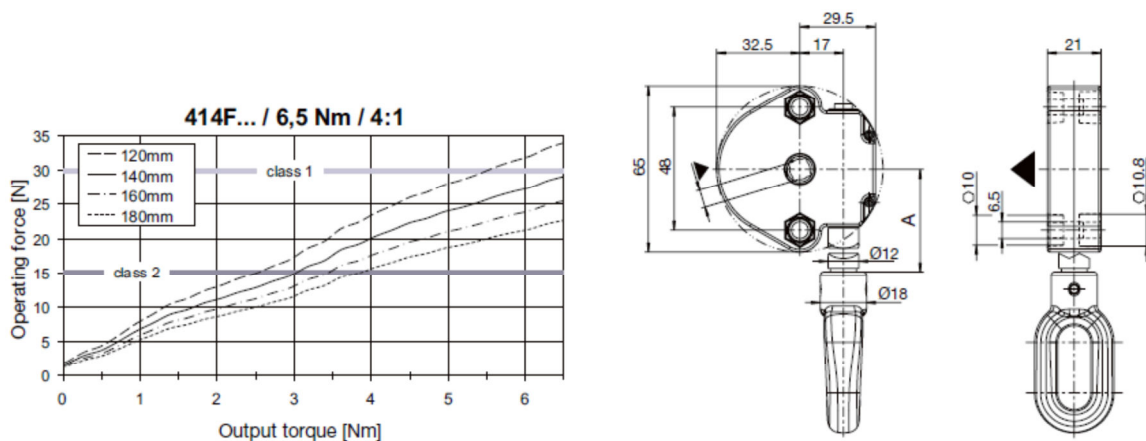


Features

- the small power package: high performance with minimal gear dimensions
- with end stop after max. 19 rotations (available also without end stop)
- continuous interior profile at the drive and output

Notes

- colours and drive shafts on request
- this GEIGER awning gear is available with oval zinc eyelets, oval or round plastic eyelets in different RAL colours
- alternatively available with pre-mounted universal joint



- **Max Torque Output: 6.5Nm**
- **Reduction Ratio: 4:1**
- **Efficiency: 0.40**
- **Available with or without end stops and a range of outputs**
- **Manufactured in Germany by **